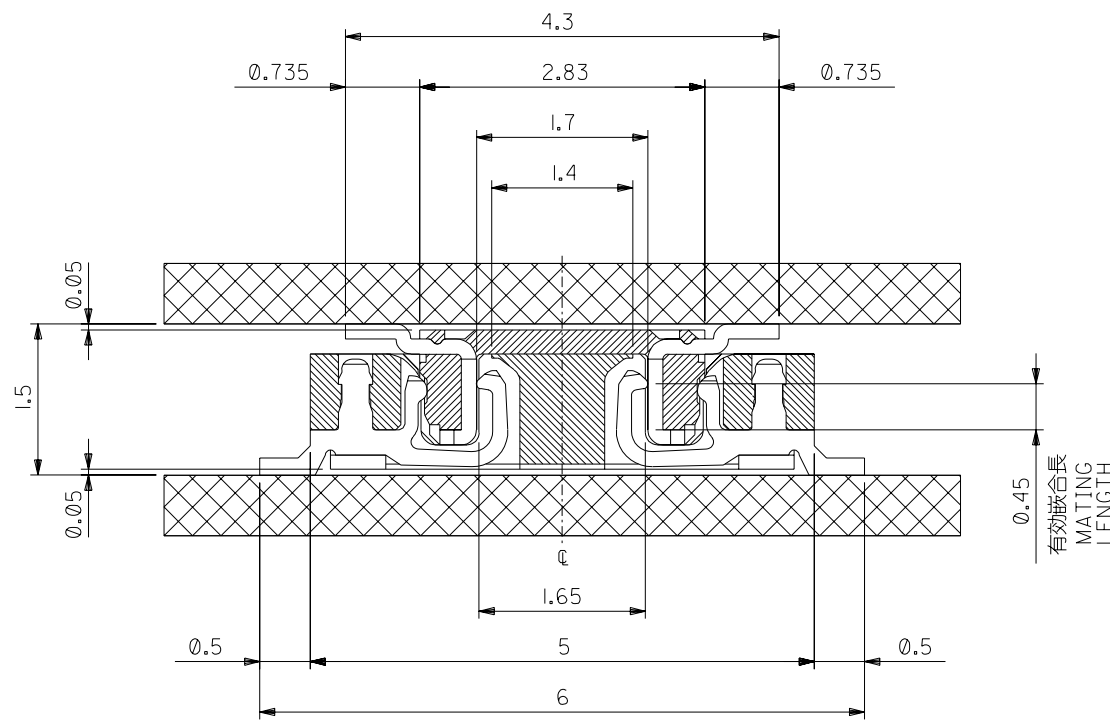




DWG. NO.  
SD-55560-006



注記 NOTES:

1. 使用材料 MATERIAL  
 ウェハー: 液晶ポリマー ガラス充填 ,UL94V-0(黒)  
 WAFER :LIQUID CRYSTAL POLYMER  
 (GLASS FILLED), UL94V-0 (COLOR:BLACK)  
 ピン :黄銅 (t=0.15)  
 PIN :BRASS(t=0.15)
2. メッキ仕様 PLATING  
 金メッキ 0.25 MICROMETER MINIMUM (コンタクト部)  
 GOLD 0.25 MICROMETER MINIMUM (CONTACT AREA).  
 金メッキ 0.4 MICROMETER MAXIMUM (テール部)  
 GOLD 0.4 MICROMETER MAXIMUM (TAIL AREA).  
 下地メッキ: ニッケルメッキ 1.5 MICROMETER MINIMUM  
 UNDER PLATING : NICKEL 1.5 MICROMETER MINIMUM.
3. (全極数/2) = 偶数の場合に適用。  
 APPLY FOR (CIRCUIT/2)=EVEN.
4. 嵌合相手: 54722 シリーズ, 54037 シリーズ  
 MATE WITH : 54722 SERIES, 54037 SERIES.
5. テール平坦度は, 0.1 MAXIMUM  
 TAIL COPLANARITY TO BE 0.1 MAXIMUM.

嵌合断面図 (参考)  
MATED DRAWING (REF.)

DO NOT SCALE DRAWING

64NO. DRWN: CH'K: APPR:	63NO. DRWN: CH'K: APPR:	REVISED 62NO. J2003-2517 DRWN: S.AIHARA '03/03/31 CH'K: M.SASAO APPR: M.SASAO	REVISED 61NO. J2003-1929 DRWN: T.YASUI '03/11/23 CH'K: T.ITO APPR: T.ITO	REVISED 60NO. J2003-1468 DRWN: T.YASUI '02/11/25 CH'K: T.ITO APPR: T.YAMAGUCHI
8	7	6	5	4

MATERIAL 材料	注記参照 SEE NOTES
FINISH 仕上げ	//
WIRE RANGE 適用線径範囲	//
INS. RANGE 被覆外径	//

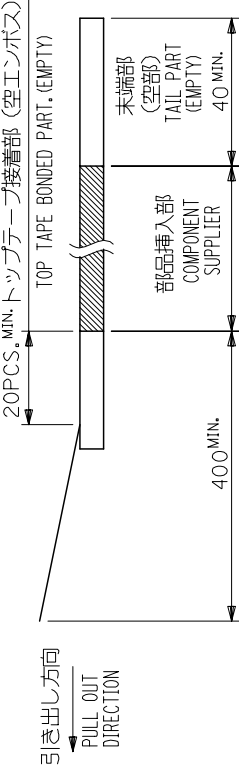
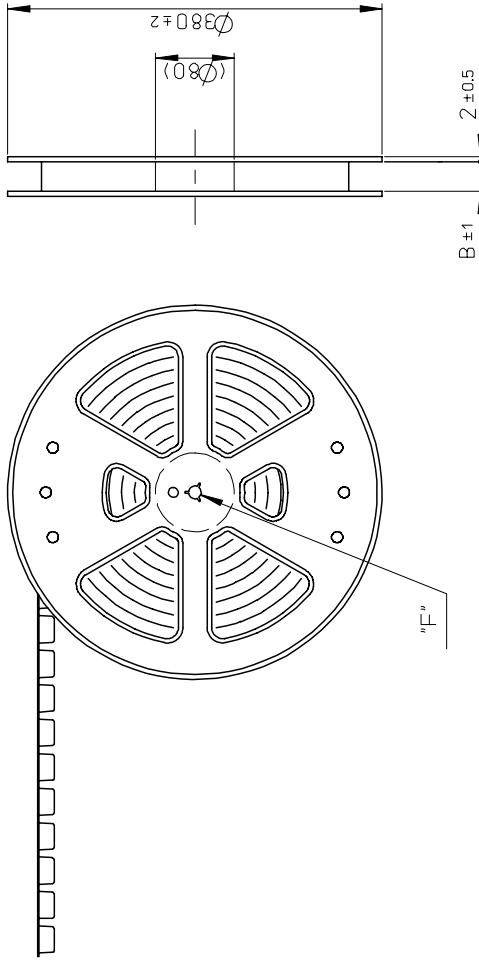
GENERAL TOLERANCES: (UNLESS SPECIFIED) 一般公差	SCALE
10 UNDER 未満 30 OVER 以上	DESIGN UNITS <input checked="" type="checkbox"/> mm <input type="checkbox"/> INCH
10 OVER 以上 30 UNDER 未満	PROJECTION <input checked="" type="checkbox"/> 1st ANGLE <input type="checkbox"/> THIRD ANGLE
30 OVER 以上	ANGLE 角度

MODEL NO. 55560-***I	DIMENSIONS: <input type="checkbox"/> mm <input type="checkbox"/> INCH <input checked="" type="checkbox"/> mm ONLY	SHT	REV
DRAWN BY & DATE S.AIHARA '00/10/5	TITLE: 0.5 B-To-B Conn PLUG Assy(Hgt=1.5mm)	2	2
CHECKED BY & DATE M.SASAO '03/03/31	APPROVED BY & DATE M.SASAO '03/03/31	MOLEX INCORPORATED	
CAD FILENAME 55560006.S02	MATERIAL NO. SEE CHART	DRAWING NO. SD-55560-006	SHEET NO. 2 OF 2
THIS DRAWING CONTAINS INFORMATION THAT IS PROPRIETARY TO MOLEX INCORPORATED AND SHOULD NOT BE USED WITHOUT WRITTEN PERMISSION.			SIZE B

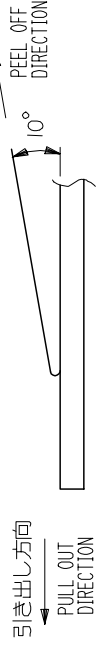
A  
55560006.S02

NOTES

1. 製品詳細寸法については図面 SD-55560-006 を参照下さい。  
RE DETAILED DIMENSION, SEE SD-55560-006
2. 梱包数量：3000個/リール  
NUMBER OF CONNECTORS : 3000PCS/REEL
3. リードテープ長さ LEAD TAPE LENGTH  
20PCS. MIN. トップテープ接着部 (空インボス)  
TOP TAPE BONDED PART. (EMPTY)



4. トップテープの剥離強度：0. IN ～ 0.7N(10.2gf ～ 71.4gf)  
(剥離方向は下図参照)  
尚、本規格値は出荷時に適用。(但し、輸送時に剥離が発生しないこと。)  
PEELING OFF FORCE OF TOP TAPE : 0. IN ～ 0.7N(10.2gf ～ 71.4gf)  
(PEELING DIRECTION AS SHOWN IN FOLLOWING FIG.)  
THIS REQUIREMENT SHOULD BE APPLIED AT SHIPMENT.  
PEEL OFF SHOULD NOT BE ALLOWED, DURING TRANSPORTATION.



5. 材料  
キャリアテープ：ポリプロピレン (PP)  
トップテープ：PET, PE, PEF  
リール：ポリスチレン (PS) <リサイクル材を含む>

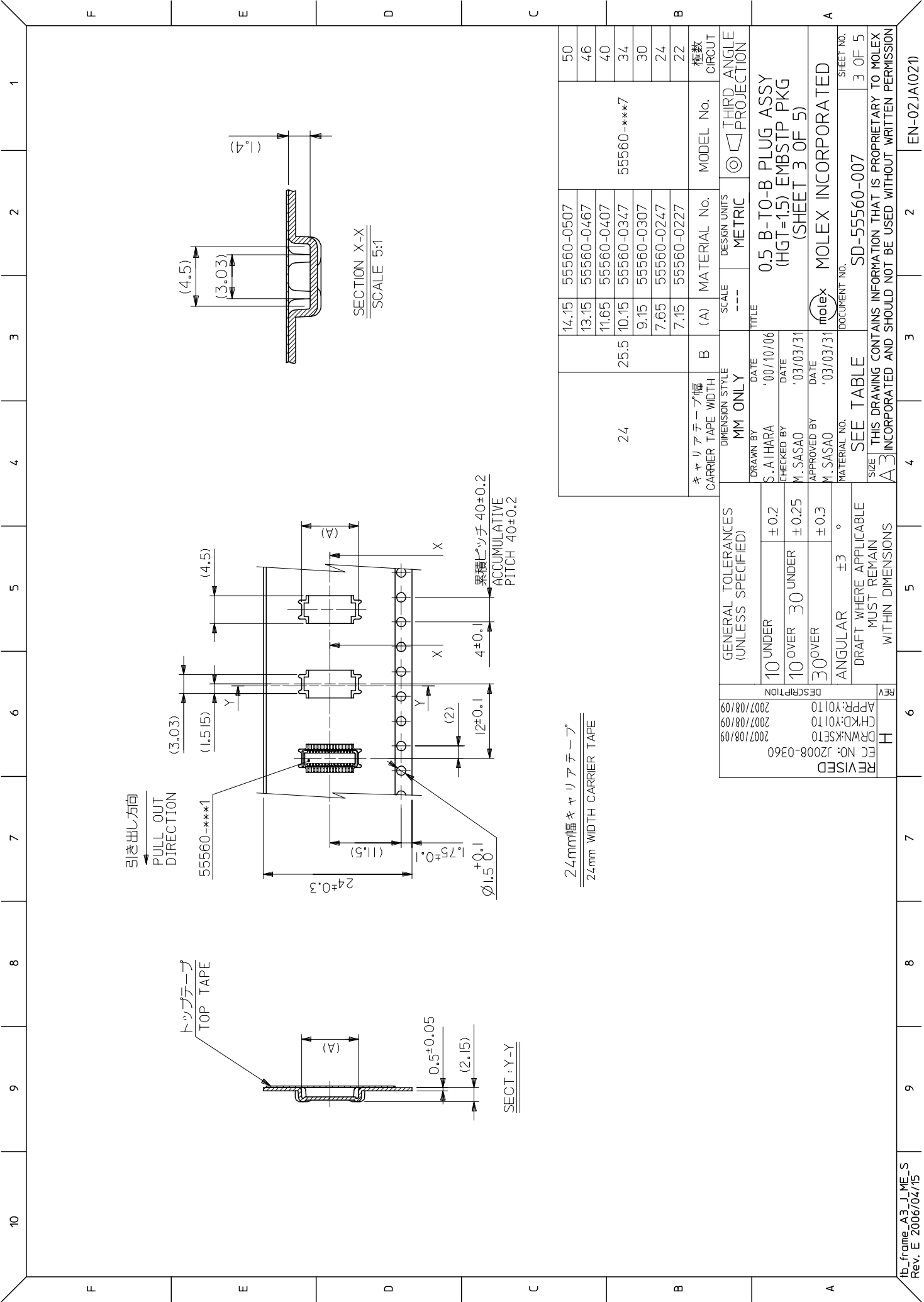
MATERIAL CARRIER TAPE: POLYPROPYLENE  
TOP TAPE: PET, PE, PEF  
REEL: POLYSTYRENE (PS)  
<RECYCLE MATERIAL CONTAINED>

DETAIL "F"

GENERAL TOLERANCES (UNLESS SPECIFIED)		DIMENSION STYLE		SCALE	DESIGN UNITS	THIRD ANGLE PROJECTION
		MM ONLY		---	METRIC	☉
10 UNDER	± 0.2	DRAWN BY	DATE	TITLE		
10 OVER	± 0.25	S. AIHARA	'00/10/06	0.5 B-T-O-B PLUG ASSY (HGT=1.5) EMBSTP PKG (SHEET 1 OF 5)		
30 OVER	± 0.3	CHECKED BY	DATE	DOCUMENT NO.		
ANGULAR	± 3 °	M. SASAO	'03/03/31	MOLEX INCORPORATED		
DRAFT WHERE APPLICABLE MUST REMAIN WITHIN DIMENSIONS		APPROVED BY	DATE	SHEET NO.		
		M. SASAO	'03/03/31	SD-55560-007		
		SEE CHART		1 OF 5		
SIZE THIS DRAWING CONTAINS INFORMATION THAT IS PROPRIETARY TO MOLEX INCORPORATED AND SHOULD NOT BE USED WITHOUT WRITTEN PERMISSION						
A3 INCORPORATED						

REV	DESCRIPTION
H	REVISED
	EC NO: J2008-0360
	DRW:KSET0
	CHKD:Y0110
	APP:Y0110
	2007/08/09
	2007/08/09





引き出し方向  
PULL OUT  
DIRECTION

トップテープ  
TOP TAPE

SECTION X-X  
SCALE 5:1

SECTION Y-Y

累積ピッチ 40±0.2  
ACCUMULATIVE  
PITCH 40±0.2

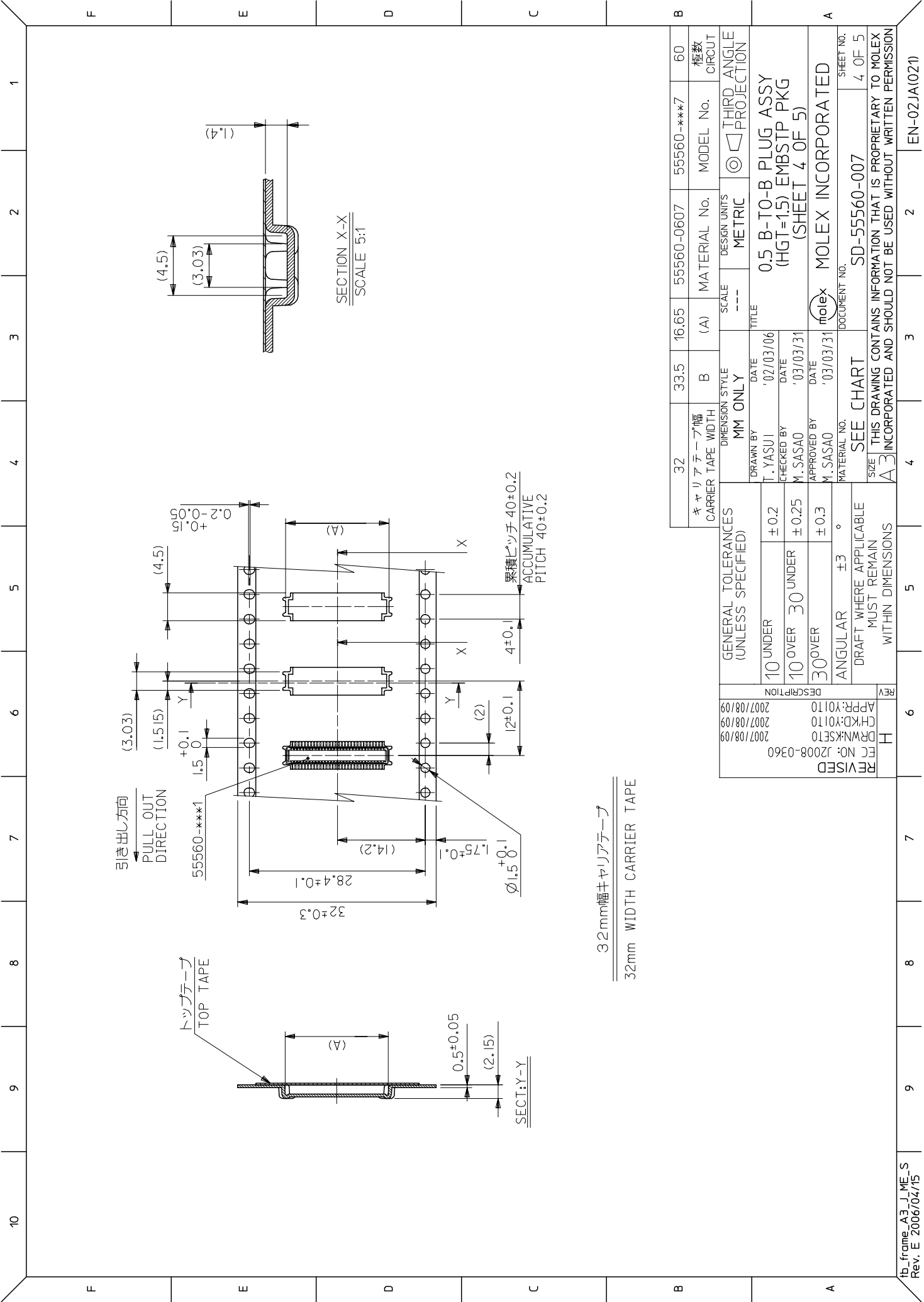
24mm幅 キャリアテープ  
24mm WIDTH CARRIER TAPE

24	14.15	55560-0507	55560-***7	MODEL No.
	13.15	55560-0467		
	11.65	55560-0407		
	10.15	55560-0347		
	9.15	55560-0307		
	7.65	55560-0247		
	7.15	55560-0227		
キャリアテープ幅 CARRIER TAPE WIDTH	B	(A)	MATERIAL No.	MODEL No.

DIMENSION STYLE MM ONLY		SCALE ---	DESIGN UNITS METRIC	THIRD ANGLE PROJECTION
DRAWN BY S. AIHARA	DATE '00/10/06	TITLE 0.5 B-T0-B PLUG ASSY (HGT=1.5) EMBSTP PKG (SHEET 3 OF 5)		
CHECKED BY M. SASAO	DATE '03/03/31	DOCUMENT NO. SD-55560-007		
APPROVED BY M. SASAO	DATE '03/03/31	SHEET NO. 3 OF 5		
MATERIAL No.	SEE TABLE			
THIS DRAWING CONTAINS INFORMATION THAT IS PROPRIETARY TO MOLEX INCORPORATED AND SHOULD NOT BE USED WITHOUT WRITTEN PERMISSION				

GENERAL TOLERANCES (UNLESS SPECIFIED)		
10 UNDER	± 0.2	
10 OVER	30 UNDER	± 0.25
30 OVER	± 0.3	
ANGULAR	± 3 °	
DRAFT WHERE APPLICABLE MUST REMAIN WITHIN DIMENSIONS		

REVISED	FC NO: J2008-0360
DRW/K:SETO	2007/08/09
CHKD:Y0110	2007/08/09
APPR:Y0110	2007/08/09



32mm幅キャリアテープ  
32mm WIDTH CARRIER TAPE

32	キャリアテープ幅 CARRIER TAPE WIDTH	33.5	16.65	55560-0607	55560-***7	60
	DIMENSION STYLE	B	(A)	MATERIAL No.	MODEL No.	極数 CIRCUT
	MM ONLY	SCALE	---	METRIC	THIRD ANGLE PROJECTION	
	DRAWN BY	DATE	TITLE			
	T. YASUI	'02/03/06	0.5 B-T0-B PLUG ASSY (HGT=1.5) EMBSTP PKG (SHEET 4 OF 5)			
	CHECKED BY	DATE	DOCUMENT No.			
	M. SASAO	'03/03/31	SD-55560-007			
	APPROVED BY	DATE	SHEET No.			
	M. SASAO	'03/03/31	4 OF 5			
	MATERIAL No.	MOLEX INCORPORATED				
	SEE CHART	THIS DRAWING CONTAINS INFORMATION THAT IS PROPRIETARY TO MOLEX INCORPORATED AND SHOULD NOT BE USED WITHOUT WRITTEN PERMISSION				

GENERAL TOLERANCES (UNLESS SPECIFIED)		DRAWING NO.		REV	
10 UNDER	±0.2	DESCRIPTION	APPR:Y0110	2007/08/09	
10 OVER	30 UNDER		CHKD:Y0110	2007/08/09	
30 OVER	±0.3		DRWN:KSETO	2007/08/09	
ANGULAR	±3		EC No: J2008-0360		
DRAFT WHERE APPLICABLE MUST REMAIN WITHIN DIMENSIONS			REVISED		

F F E D C B A

